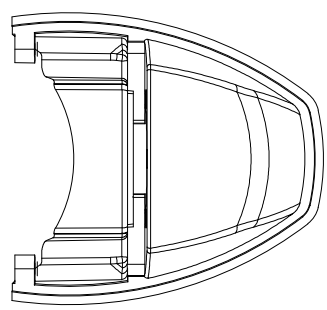
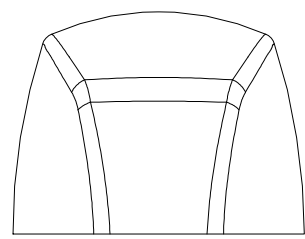
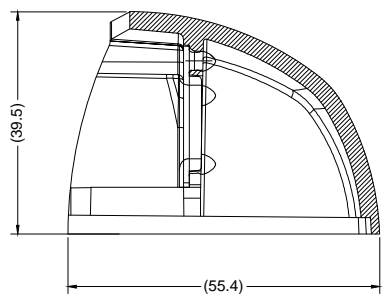
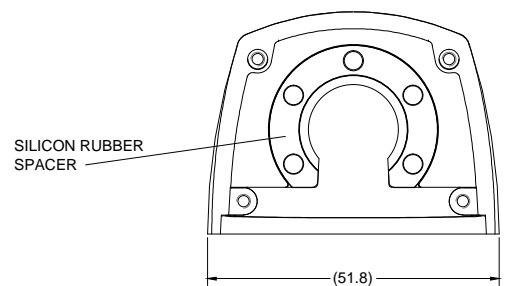
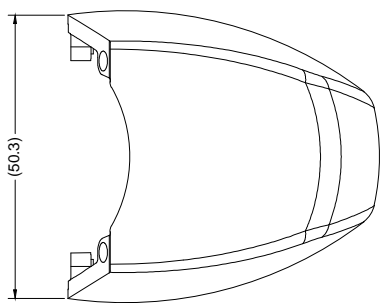


Revision Notes.				
R1 -				
APA: -	Drawn:-	Checked:-	Approved:-	Date: -



- NOTES:
1. FINISH BLACK.
 2. MATERIAL: ALUMINIUM GRADE ADC12.
 3. SURFACE TREATMENT: POWDER COATING, MATT SURFACE.
 4. NO STRAINS, NO SHARP CORNERS ON THE EXTERIOR.
 5. REFER TO ASSEMBLY PLANT DRAWING SV00664 REV 0.1 FOR DETAILED DIMENSIONS.
 6. PART CANNOT BE DEFORMED AND WARPED
 7. INCLUDES SILICONE RUBBER SPACER (ASSEMBLY REF. 32040007300 WITH HARDNESS 60 ± 3HA).

PROPRIETARY NOTICE
 THIS DESIGN AND TECHNICAL INFORMATION APPEARING ON THIS DRAWING IS THE PROPERTY OF BRIGADE ELECTRONICS, AND IS DISCLOSED IN CONFIDENCE. IT IS NOT TO BE COPIED, REPRODUCED, REVEALED TO OR EXPROPRIATED BY OTHERS, EITHER IN WHOLE OR IN PART WITHOUT THE EXPRESS WRITTEN CONSENT OF BRIGADE ELECTRONICS.

BRIGADE®
 www.brigade-electronics.com

Assembly Pl Approval G. WU	Approved by S.MATTHEWS	Checked by R. BATES	Drawn by A.FEDERIGHI
Angle of Projection 	Units mm	Scale N/A	Released 29/05/14
	Status RELEASED	Assembly Ref VBV-3XXC-RH	
	Part No 4603	BE-002758-00-13	